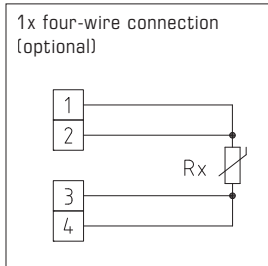
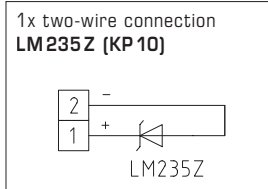
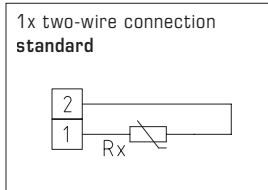


Sleeve sensor / cable temperature sensor
duct / immersion / screw-in temperature sensor,
with passive output

The sleeve sensor / cable sensor **THERMASGARD® HTF** is used to measure temperatures in liquid and gaseous media. It can be used as a duct sensor and - if installed in an immersion sleeve - as an immersion and screw-in sensor. The sleeve length varies, depending on request, from 30..400 mm (standard is 50 mm respectively 200 mm), the cable length is arbitrary (standard is 1.5 m). Depending on application, with silicone, glass fibre, or PVC leads, for two-wire or four-wire connection. For direct, continuous use in liquids, please use our **THE** immersion sleeves (see type table).

TECHNICAL DATA

Measuring ranges:	-35...+105 °C PVC , LiYY, 2 x 0.25 mm ² -50...+180 °C Silicone , SiHF, 2 x 0.25 mm ² -50...+250 °C PTFE , 2 x 1.0 mm ² -50...+350 °C glass fibre , 2 x 0.25 mm ² ends stripped with wire end sleeves (extended measuring range limits optional, depending on connection leads, T_{max} Ni1000 = +180 °C, T_{max} NTC / Ni1000 TK5000 = +150 °C, T_{max} LM235Z = +125 °C)
Sensors / output:	see table, passive (optional also with 2 sensors) (Perfect Sensor Protection with IP68)
Connection type:	2-wire connection (4-wire connection optional)
Testing current:	< 0.6 mA (Pt1000) < 1.0 mA (Pt100) < 0.3 mA (Ni1000, Ni1000 TK5000) < 2.0 mW (NTC xx) 400 µA...5 mA (LM235Z)
Protective tube	sensor sleeve made of stainless steel, V4A (1.4571), Ø = 6 mm HTF50 nominal length (NL) = 50 mm HTF200 nominal length (NL) = 200 mm (other optional dimensions also available, nominal length (NL) = 30...400 mm)
Connection cable:	cable length (KL) = 1.5 m (optional also 3 m, 5 m, 8 m, 10 m)
Insulating resistance:	≥ 100 MΩ, at +20 °C (500 V DC)
Process connection:	using immersion sleeves THE (see table) or mounting flange, plastic (see table) (optionally in galvanised steel, see chapter Accessories)
Permitted humidity:	< 95 % RH, non-precipitating air
Protection class:	III (according to EN 60 730)
Protection type:	IP65 (according to EN 60 529) sleeve humidity-tight (standard) IP68 (according to EN 60 529) sleeve water-tight (optional) IP54 (according to EN 60 529) with glass fibre cable (optional)
ACCESSORIES	
MF-06-K	Mounting flange , plastic, 56.8 x 84.3 mm, Ø = 6.2 mm tube gland, T _{max} = +100 °C (is not included in scope of delivery)
THE-ms/xx	Immersion sleeve, brass, nickel-plated , Ø = 9 mm, inserted length (EL) = 50 - 250 mm (see table), inner diameter of socket Ø = 5.2 mm, with adjusting screw M12 x 1.5 T _{max} = +130 °C, p _{max} = 16 bar
THE-VA/xx	Immersion sleeve, stainless steel, V4A (1.4571), Ø = 9 mm, inserted length (EL) = 50 - 400 mm (see table), inner diameter of socket Ø = 5.2 mm, with adjusting screw M12 x 1.5 T _{max} = +200 °C, p _{max} = 40 bar



IP65 (standard)
 humidity-tight



IP68 (optional)
 water-tight
Perfect Sensor Protection



IP54 (optional)
 with **glass fibre** cable

MF-06-K
 Mounting flange,
 plastic
 (optional)



High-performance encapsulation against
 vibration, mechanical stress and humidity

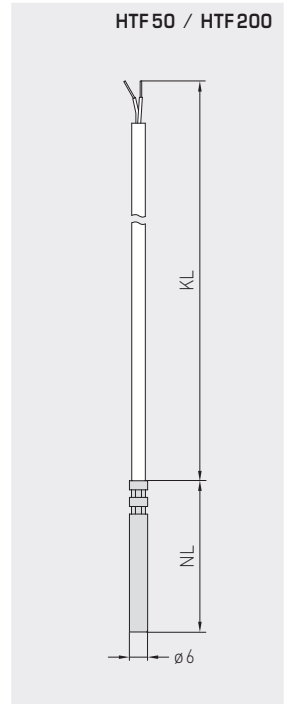
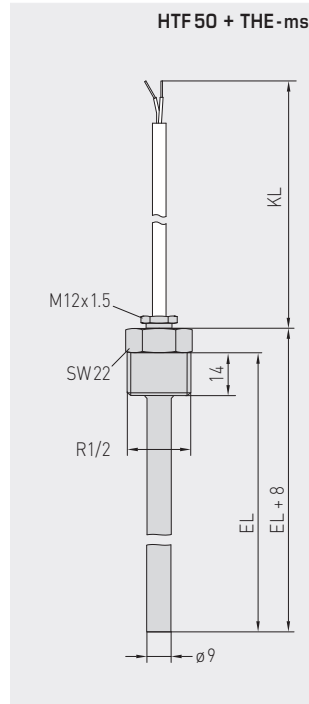
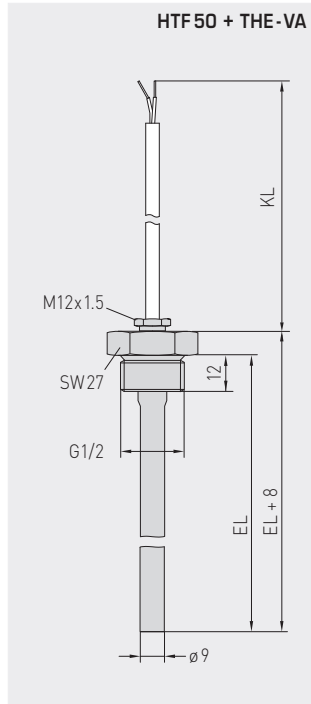
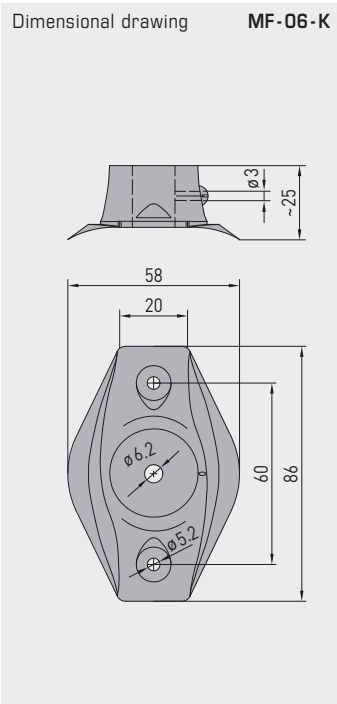




S+S REGELTECHNIK

THERMASGARD® HTF 50
THERMASGARD® HTF 200

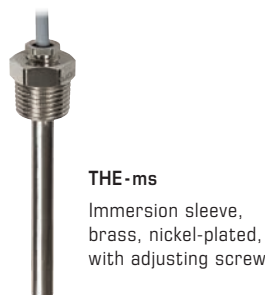
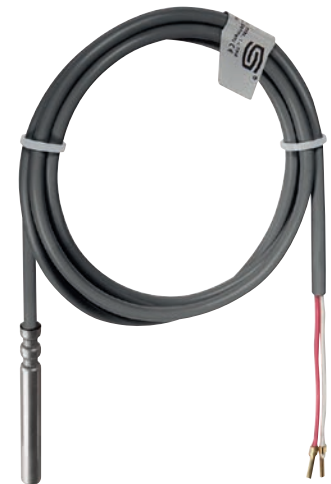
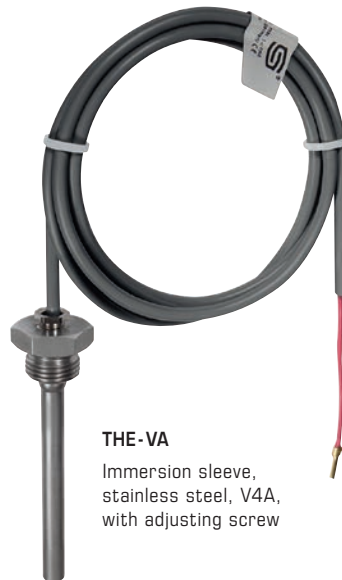
Sleeve sensor / cable temperature sensor
duct / immersion / screw-in temperature sensor,
with passive output



HTF200 + MF-06-K
with accessory mounting flange
(see type table)
as duct temperature sensor

HTF50 + THE-xx
with accessory immersion sleeve
(see type table)
as immersion / screw-in temperature sensor

HTF50
with PVC / silicone cable
(standard)



**Sleeve sensor / cable temperature sensor
duct / immersion / screw-in temperature sensor,
with passive output**

THERMASGARD® HTF 50 sleeve sensor / cable temperature sensor (NL = 50 mm)

Type / WG03	Cable material	Cable length	Measuring Range	Protection class	Item No. Sensor	Price
HTF50 PT100					Pt 100, class B	
HTF50 Pt100 PVC 1,5M	PVC	1.5 m	-35...+105 °C	IP65 *	1101-6030-1211-110	13,69 €
HTF50 Pt100 Silikon 1,5M	Silicone	1.5 m	-50...+180 °C	IP65 *	1101-6030-1211-120	17,20 €
HTF50 Pt100 PTFE 1,5M	PTFE	1.5 m	-50...+250 °C	IP65 *	1101-6030-1211-140	57,73 €
HTF50 Pt100	Glass Fibre	1.5 m	-50...+350 °C	IP54	1101-6030-1211-050	47,94 €
HTF50 Pt100 PVC 3M	PVC	3 m	-35...+105 °C	IP65 *	1101-6030-1231-110	16,57 €
HTF50 Pt100 Silikon 3M	Silicone	3 m	-50...+180 °C	IP65 *	1101-6030-1231-120	21,45 €
HTF50 Pt100 PVC 5M	PVC	5 m	-35...+105 °C	IP65 *	1101-6030-1251-110	20,39 €
HTF50 Pt100 Silikon 5M	Silicone	5 m	-50...+180 °C	IP65 *	1101-6030-1251-120	27,13 €
HTF50 Pt100 PVC 8M	PVC	8 m	-35...+105 °C	IP65 *	1101-6030-1281-110	26,15 €
HTF50 Pt100 Silikon 8M	Silicone	8 m	-50...+180 °C	IP65 *	1101-6030-1281-120	35,67 €
HTF50 Pt100 PVC 10M	PVC	10 m	-35...+105 °C	IP65 *	1101-6030-1301-110	29,97 €
HTF50 Pt100 Silikon 10M	Silicone	10 m	-50...+180 °C	IP65 *	1101-6030-1301-120	41,37 €
HTF50 PT1000					Pt 1000, class B	
HTF50 Pt1000 PVC 1,5M	PVC	1.5 m	-35...+105 °C	IP65 *	1101-6030-5211-110	16,12 €
HTF50 Pt1000 Silikon 1,5M	Silicone	1.5 m	-50...+180 °C	IP65 *	1101-6030-5211-120	19,80 €
HTF50 Pt1000 PTFE 1,5M	PTFE	1.5 m	-50...+250 °C	IP65 *	1101-6030-5211-140	57,87 €
HTF50 Pt1000	Glass Fibre	1.5 m	-50...+350 °C	IP54	1101-6030-5211-050	47,94 €
HTF50 Pt1000 PVC 3M	PVC	3 m	-35...+105 °C	IP65 *	1101-6030-5231-110	18,99 €
HTF50 Pt1000 Silikon 3M	Silicone	3 m	-50...+180 °C	IP65 *	1101-6030-5231-120	24,08 €
HTF50 Pt1000 PVC 5M	PVC	5 m	-35...+105 °C	IP65 *	1101-6030-5251-110	22,82 €
HTF50 Pt1000 Silikon 5M	Silicone	5 m	-50...+180 °C	IP65 *	1101-6030-5251-120	29,76 €
HTF50 Pt1000 PVC 8M	PVC	8 m	-35...+105 °C	IP65 *	1101-6030-5281-110	28,57 €
HTF50 Pt1000 Silikon 8M	Silicone	8 m	-50...+180 °C	IP65 *	1101-6030-5281-120	38,28 €
HTF50 Pt1000 PVC 10M	PVC	10 m	-35...+105 °C	IP65 *	1101-6030-5301-110	32,40 €
HTF50 Pt1000 Silikon 10M	Silicone	10 m	-50...+180 °C	IP65 *	1101-6030-5301-120	43,96 €
HTF50 PT1000 A					Pt 1000 A, class A-TGA	
HTF50 Pt1000A PVC 1,5M	PVC	1.5 m	-35...+105 °C	IP65 *	1101-6030-6211-110	23,64 €
HTF50 Pt1000A Silikon 1,5M	Silicone	1.5 m	-50...+180 °C	IP65 *	1101-6030-6211-120	27,15 €
HTF50 Ni1000					Ni 1000	
HTF50 Ni1000 PVC 1,5M	PVC	1.5 m	-35...+105 °C	IP65 *	1101-6030-9211-110	15,66 €
HTF50 Ni1000 Silikon 1,5M	Silicone	1.5 m	-50...+180 °C	IP65 *	1101-6030-9211-120	19,50 €
HTF50 Ni1000 PVC 3M	PVC	3 m	-35...+105 °C	IP65 *	1101-6030-9231-110	18,54 €
HTF50 Ni1000 Silikon 3M	Silicone	3 m	-50...+180 °C	IP65 *	1101-6030-9231-120	23,75 €
HTF50 Ni1000 PVC 5M	PVC	5 m	-35...+105 °C	IP65 *	1101-6030-9251-110	22,38 €
HTF50 Ni1000 Silikon 5M	Silicone	5 m	-50...+180 °C	IP65 *	1101-6030-9251-120	29,43 €
HTF50 Ni1000 PVC 8M	PVC	8 m	-35...+105 °C	IP65 *	1101-6030-9281-110	28,12 €
HTF50 Ni1000 Silikon 8M	Silicone	8 m	-50...+180 °C	IP65 *	1101-6030-9281-120	37,97 €
HTF50 Ni1000 PVC 10M	PVC	10 m	-35...+105 °C	IP65 *	1101-6030-9301-110	31,94 €
HTF50 Ni1000 Silikon 10M	Silicone	10 m	-50...+180 °C	IP65 *	1101-6030-9301-120	43,65 €
HTF50 NiTK					Ni 1000 TK 5000	
HTF50 NiTK PVC 1,5M	PVC	1.5 m	-35...+105 °C	IP65 *	1101-6031-0211-110	19,74 €
HTF50 NiTK Silikon 1,5M	Silicone	1.5 m	-50...+150 °C	IP65 *	1101-6031-0211-120	23,29 €
HTF50 NiTK PVC 3M	PVC	3 m	-35...+105 °C	IP65 *	1101-6031-0231-110	22,63 €
HTF50 NiTK Silikon 3M	Silicone	3 m	-50...+150 °C	IP65 *	1101-6031-0231-120	27,56 €
HTF50 NiTK PVC 5M	PVC	5 m	-35...+105 °C	IP65 *	1101-6031-0251-110	26,46 €
HTF50 NiTK Silikon 5M	Silicone	5 m	-50...+150 °C	IP65 *	1101-6031-0251-120	33,23 €
HTF50 NiTK PVC 8M	PVC	8 m	-35...+105 °C	IP65 *	1101-6031-0281-110	32,20 €
HTF50 NiTK Silikon 8M	Silicone	8 m	-50...+150 °C	IP65 *	1101-6031-0281-120	41,78 €
HTF50 NiTK PVC 10M	PVC	10 m	-35...+105 °C	IP65 *	1101-6031-0301-110	36,03 €
HTF50 NiTK Silikon 10M	Silicone	10 m	-50...+150 °C	IP65 *	1101-6031-0301-120	47,46 €
HTF50 LM235Z					LM235Z	
HTF50 LM235Z PVC 1,5M	PVC	1.5 m	-35...+105 °C	IP65 *	1101-6032-1211-110	14,02 €
HTF50 LM235Z Silikon 1,5M	Silicone	1.5 m	-40...+125 °C	IP65 *	1101-6032-1211-120	17,84 €
HTF50 LM235Z PVC 3M	PVC	3 m	-35...+105 °C	IP65 *	1101-6032-1231-110	16,88 €
HTF50 LM235Z Silikon 3M	Silicone	3 m	-40...+125 °C	IP65 *	1101-6032-1231-120	22,09 €
HTF50 LM235Z PVC 5M	PVC	5 m	-35...+105 °C	IP65 *	1101-6032-1251-110	20,73 €
HTF50 LM235Z Silikon 5M	Silicone	5 m	-40...+125 °C	IP65 *	1101-6032-1251-120	27,77 €
HTF50 LM235Z PVC 8M	PVC	8 m	-35...+105 °C	IP65 *	1101-6032-1281-110	26,47 €
HTF50 LM235Z Silikon 8M	Silicone	8 m	-40...+125 °C	IP65 *	1101-6032-1281-120	36,32 €
HTF50 LM235Z PVC 10M	PVC	10 m	-35...+105 °C	IP65 *	1101-6032-1301-110	30,30 €
HTF50 LM235Z Silikon 10M	Silicone	10 m	-40...+125 °C	IP65 *	1101-6032-1301-120	42,00 €

Continued on next page ...



THERMASGARD® HTF 50 sleeve sensor / cable temperature sensor (NL = 50 mm)						
Type / WG03	Cable material	Cable length	Measuring Range	Protection class	Item No. Sensor	Price
HTF50 NTC1.8K					NTC 1.8K	
HTF50 NTC1,8K PVC 1,5M	PVC	1.5 m	-35...+105 °C	IP65 *	1101-6031-2211-110	13,24 €
HTF50 NTC1,8K Silikon 1,5M	Silicone	1.5 m	-50...+150 °C	IP65 *	1101-6031-2211-120	15,21 €
HTF50 NTC1,8K PVC 3M	PVC	3 m	-35...+105 °C	IP65 *	1101-6031-2231-110	16,13 €
HTF50 NTC1,8K Silikon 3M	Silicone	3 m	-50...+150 °C	IP65 *	1101-6031-2231-120	19,50 €
HTF50 NTC1,8K PVC 5M	PVC	5 m	-35...+105 °C	IP65 *	1101-6031-2251-110	19,96 €
HTF50 NTC1,8K Silikon 5M	Silicone	5 m	-50...+150 °C	IP65 *	1101-6031-2251-120	25,18 €
HTF50 NTC1,8K PVC 8M	PVC	8 m	-35...+105 °C	IP65 *	1101-6031-2281-110	25,69 €
HTF50 NTC1,8K Silikon 8M	Silicone	8 m	-50...+150 °C	IP65 *	1101-6031-2281-120	33,69 €
HTF50 NTC1,8K PVC 10M	PVC	10 m	-35...+105 °C	IP65 *	1101-6031-2301-110	29,53 €
HTF50 NTC1,8K Silikon 10M	Silicone	10 m	-50...+150 °C	IP65 *	1101-6031-2301-120	39,39 €
HTF50 NTC10K					NTC 10K	
HTF50 NTC10K PVC 1,5M	PVC	1.5 m	-35...+105 °C	IP65 *	1101-6031-5211-110	13,24 €
HTF50 NTC10K Silikon 1,5M	Silicone	1.5 m	-50...+150 °C	IP65 *	1101-6031-5211-120	15,21 €
HTF50 NTC10K PVC 3M	PVC	3 m	-35...+105 °C	IP65 *	1101-6031-5231-110	16,13 €
HTF50 NTC10K Silikon 3M	Silicone	3 m	-50...+150 °C	IP65 *	1101-6031-5231-120	19,50 €
HTF50 NTC10K PVC 5M	PVC	5 m	-35...+105 °C	IP65 *	1101-6031-5251-110	19,96 €
HTF50 NTC10K Silikon 5M	Silicone	5 m	-50...+150 °C	IP65 *	1101-6031-5251-120	25,18 €
HTF50 NTC10K PVC 8M	PVC	8 m	-35...+105 °C	IP65 *	1101-6031-5281-110	25,69 €
HTF50 NTC10K Silikon 8M	Silicone	8 m	-50...+150 °C	IP65 *	1101-6031-5281-120	33,69 €
HTF50 NTC10K PVC 10M	PVC	10 m	-35...+105 °C	IP65 *	1101-6031-5301-110	29,53 €
HTF50 NTC10K Silikon 10M	Silicone	10 m	-50...+150 °C	IP65 *	1101-6031-5301-120	39,39 €
HTF50 NTC20K					NTC 20K	
HTF50 NTC20K PVC 1,5M	PVC	1.5 m	-35...+105 °C	IP65 *	1101-6031-6211-110	13,24 €
HTF50 NTC20K Silikon 1,5M	Silicone	1.5 m	-50...+150 °C	IP65 *	1101-6031-6211-120	15,21 €
HTF50 NTC20K PVC 3M	PVC	3 m	-35...+105 °C	IP65 *	1101-6031-6231-110	16,13 €
HTF50 NTC20K Silikon 3M	Silicone	3 m	-50...+150 °C	IP65 *	1101-6031-6231-120	19,50 €
HTF50 NTC20K PVC 5M	PVC	5 m	-35...+105 °C	IP65 *	1101-6031-6251-110	19,96 €
HTF50 NTC20K Silikon 5M	Silicone	5 m	-50...+150 °C	IP65 *	1101-6031-6251-120	25,18 €
HTF50 NTC20K PVC 8M	PVC	8 m	-35...+105 °C	IP65 *	1101-6031-6281-110	25,69 €
HTF50 NTC20K Silikon 8M	Silicone	8 m	-50...+150 °C	IP65 *	1101-6031-6281-120	33,69 €
HTF50 NTC20K PVC 10M	PVC	10 m	-35...+105 °C	IP65 *	1101-6031-6301-110	29,53 €
HTF50 NTC20K Silikon 10M	Silicone	10 m	-50...+150 °C	IP65 *	1101-6031-6301-120	39,39 €
Extra charge:	* Protection type IP68 (Sensor sleeve watertight compound-filled) Other sensors optional Cable length (KL) 3 m, 5 m, 8 m, 10 m (standard lengths) Connection type 4-wire (4-conductor)					3,40 € on request on request on request
For special orders please specify: (possible for 25 or more pieces)	Type sensor length (NL), sensor, cable material, connection type, cable length (KL), protection type e.g. HTF-30mm, Pt1000, PVC, 2-wire, 10m, IP68; HTF-50mm, Ni1000 TK5000, silicon, 4-wire, 5m, IP65					

HTF 50
(NL = 50 mm)
with PVC / silicone cable

HTF 50
(NL = 50 mm)
with glass fibre cable



IP 65 (standard)
humidity-tight



IP 68 (optional)
water-tight
Perfect Sensor Protection



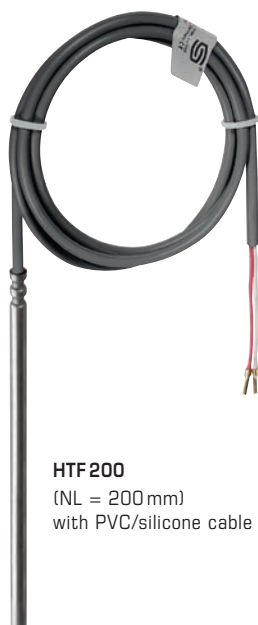
IP 54 (optional)
with glass fibre cable



Sleeve sensor / cable temperature sensor
 duct / immersion / screw-in temperature sensor,
 with passive output

THERMASGARD® HTF 200 sleeve sensor / cable temperature sensor (NL = 200 mm)

Type / WG03	Cable material	Cable length	Measuring Range	Protection class	Item No. Sensor	Price
HTF200 PT100					Pt 100, class B	
HTF200 Pt100 PVC 1,5M	PVC	1.5 m	-35...+105 °C	IP65 *	1101-6090-1211-110	20,37 €
HTF200 Pt100 Silikon 1,5M	Silicone	1.5 m	-50...+180 °C	IP65 *	1101-6090-1211-120	24,19 €
HTF200 PT1000					Pt 1000, class B	
HTF200 Pt1000 PVC 1,5M	PVC	1.5 m	-35...+105 °C	IP65 *	1101-6090-5211-110	20,37 €
HTF200 Pt1000 Silikon 1,5M	Silicone	1.5 m	-50...+180 °C	IP65 *	1101-6090-5211-120	24,19 €
HTF200 PT1000 A					Pt 1000 A, class A-TGA	
HTF200 Pt1000A PVC 1,5M	PVC	1.5 m	-35...+105 °C	IP65 *	1101-6090-6211-110	27,72 €
HTF200 Pt1000A Silikon 1,5M	Silicone	1.5 m	-50...+180 °C	IP65 *	1101-6090-6211-120	31,56 €
HTF200 Ni1000					Ni 1000	
HTF200 Ni1000 PVC 1,5M	PVC	1.5 m	-35...+105 °C	IP65 *	1101-6090-9211-110	20,76 €
HTF200 Ni1000 Silikon 1,5M	Silicone	1.5 m	-50...+180 °C	IP65 *	1101-6090-9211-120	24,19 €
HTF200 NiTK					Ni 1000 TK 5000	
HTF200 NiTK PVC 1,5M	PVC	1.5 m	-35...+105 °C	IP65 *	1101-6091-0211-110	21,78 €
HTF200 NiTK Silikon 1,5M	Silicone	1.5 m	-50...+150 °C	IP65 *	1101-6091-0211-120	25,21 €
HTF200 LM235Z					LM 235 Z	
HTF200 LM235Z PVC 1,5M	PVC	1.5 m	-35...+105 °C	IP65 *	1101-6092-1211-110	21,00 €
HTF200 LM235Z Silikon 1,5M	Silicone	1.5 m	-40...+125 °C	IP65 *	1101-6092-1211-120	24,83 €
HTF200 NTC1,8K					NTC 1.8K	
HTF200 NTC1,8K PVC 1,5M	PVC	1.5 m	-35...+105 °C	IP65 *	1101-6091-2211-110	20,37 €
HTF200 NTC1,8K Silikon 1,5M	Silicone	1.5 m	-50...+150 °C	IP65 *	1101-6091-2211-120	24,19 €
HTF200 NTC10K					NTC 10K	
HTF200 NTC10K PVC 1,5M	PVC	1.5 m	-35...+105 °C	IP65 *	1101-6091-5211-110	20,37 €
HTF200 NTC10K Silikon 1,5M	Silicone	1.5 m	-50...+150 °C	IP65 *	1101-6091-5211-120	24,19 €
HTF200 NTC20K					NTC 20K	
HTF200 NTC20K PVC 1,5M	PVC	1.5 m	-35...+105 °C	IP65 *	1101-6091-6211-110	20,37 €
HTF200 NTC20K Silikon 1,5M	Silicone	1.5 m	-50...+150 °C	IP65 *	1101-6091-6211-120	24,19 €
Extra charge:	* Protection type IP68 (Sensor sleeve watertight compound-filled) Other sensors optional Cable length (KL) 3 m, 5 m, 8 m, 10 m (standard lengths) Connection type 4-wire (4-conductor)					3,40 € on request on request on request
For special orders please specify: (possible for 25 or more pieces)	Type sensor length (NL), sensor, cable material, connection type, cable length (KL), protection type e.g. HTF-200 mm, Pt1000, PVC, 2-wire, 10 m, IP68; HTF-400 mm, Ni1000 TK5000, silicon, 4-wire, 5 m, IP65					



HTF 200
 (NL = 200 mm)
 with PVC/silicone cable



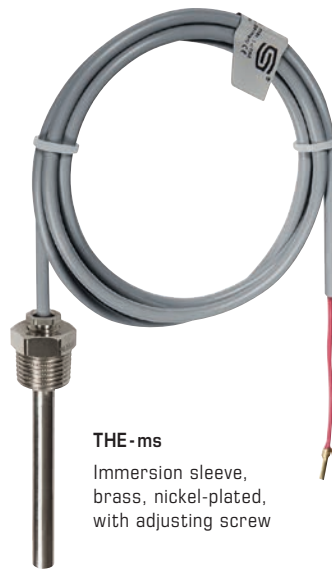
IP65 (standard)
 humidity-tight



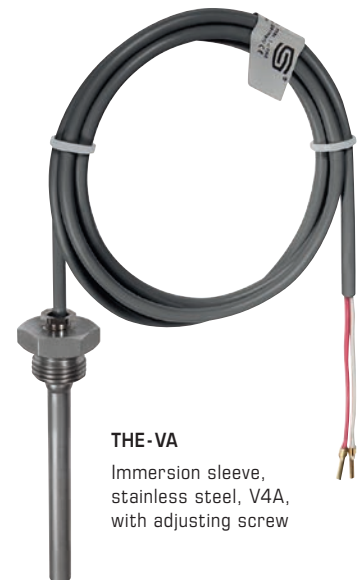
IP68 (optional)
 water-tight
Perfect Sensor Protection

THERMASGARD® HTF 50 accessory as immersion / screw-in sensor temperature sensor (ESTF)				
Type / WG01	Description		Item No.	Price
THE -ms / xx				
	Immersion sleeve, brass, nickel-plated, Ø 9 mm, inner diameter of socket Ø = 5.2 mm, with adjusting screw M12 x 1.5			
THE-MS 50MM	$p_{max} = 16 \text{ bar}, T_{max} = +130 \text{ °C}$	EL = 50 mm	7100-0011-6010-002	10,46 €
THE-MS 100MM	$p_{max} = 16 \text{ bar}, T_{max} = +130 \text{ °C}$	EL = 100 mm	7100-0011-6020-002	11,30 €
THE-MS 150MM	$p_{max} = 16 \text{ bar}, T_{max} = +130 \text{ °C}$	EL = 150 mm	7100-0011-6030-002	11,72 €
THE-MS 200MM	$p_{max} = 16 \text{ bar}, T_{max} = +130 \text{ °C}$	EL = 200 mm	7100-0011-6040-002	12,54 €
THE-MS 250MM	$p_{max} = 16 \text{ bar}, T_{max} = +130 \text{ °C}$	EL = 250 mm	7100-0011-6050-002	14,05 €
THE -VA / xx				
	Immersion sleeve, stainless steel, V4A (1.4571), Ø 9 mm, inner diameter of socket Ø = 5.2 mm, with adjusting screw M12 x 1.5			
THE-VA 50MM	$p_{max} = 40 \text{ bar}, T_{max} = +200 \text{ °C}$	EL = 50 mm	7100-0012-6010-002	20,70 €
THE-VA 100MM	$p_{max} = 40 \text{ bar}, T_{max} = +200 \text{ °C}$	EL = 100 mm	7100-0012-6020-002	22,86 €
THE-VA 150MM	$p_{max} = 40 \text{ bar}, T_{max} = +200 \text{ °C}$	EL = 150 mm	7100-0012-6030-002	24,55 €
THE-VA 200MM	$p_{max} = 40 \text{ bar}, T_{max} = +200 \text{ °C}$	EL = 200 mm	7100-0012-6040-002	25,89 €
THE-VA 250MM	$p_{max} = 40 \text{ bar}, T_{max} = +200 \text{ °C}$	EL = 250 mm	7100-0012-6050-002	32,18 €
THE-VA 300MM	$p_{max} = 40 \text{ bar}, T_{max} = +200 \text{ °C}$	EL = 300 mm	7100-0012-6060-002	33,62 €
THE-VA 400MM	$p_{max} = 40 \text{ bar}, T_{max} = +200 \text{ °C}$	EL = 400 mm	7100-0012-6080-002	34,71 €
xx = (EL)	Other installation lengths on request			

HTF 50
(NL = 50 mm)
with **THE** immersion sleeve
as immersion / screw-in temperature sensor



THE -ms
Immersion sleeve,
brass, nickel-plated,
with adjusting screw



THE -VA
Immersion sleeve,
stainless steel, V4A,
with adjusting screw

MF-06-K
Mounting flange,
plastic
(optional)



THERMASGARD® HTF 50 accessories (standard)				
THERMASGARD® HTF 200 accessories (standard)				
Type / WG01	Description	T_{max}	Item No.	Price
MF				
MF-06-K	Mounting flange plastic, 56.8 x 84.3 mm, Ø 6.2 mm tube gland (not included in scope of delivery)	+100 °C	7100-0030-1000-000	6,12 €
Note:	For further information see last chapter!			